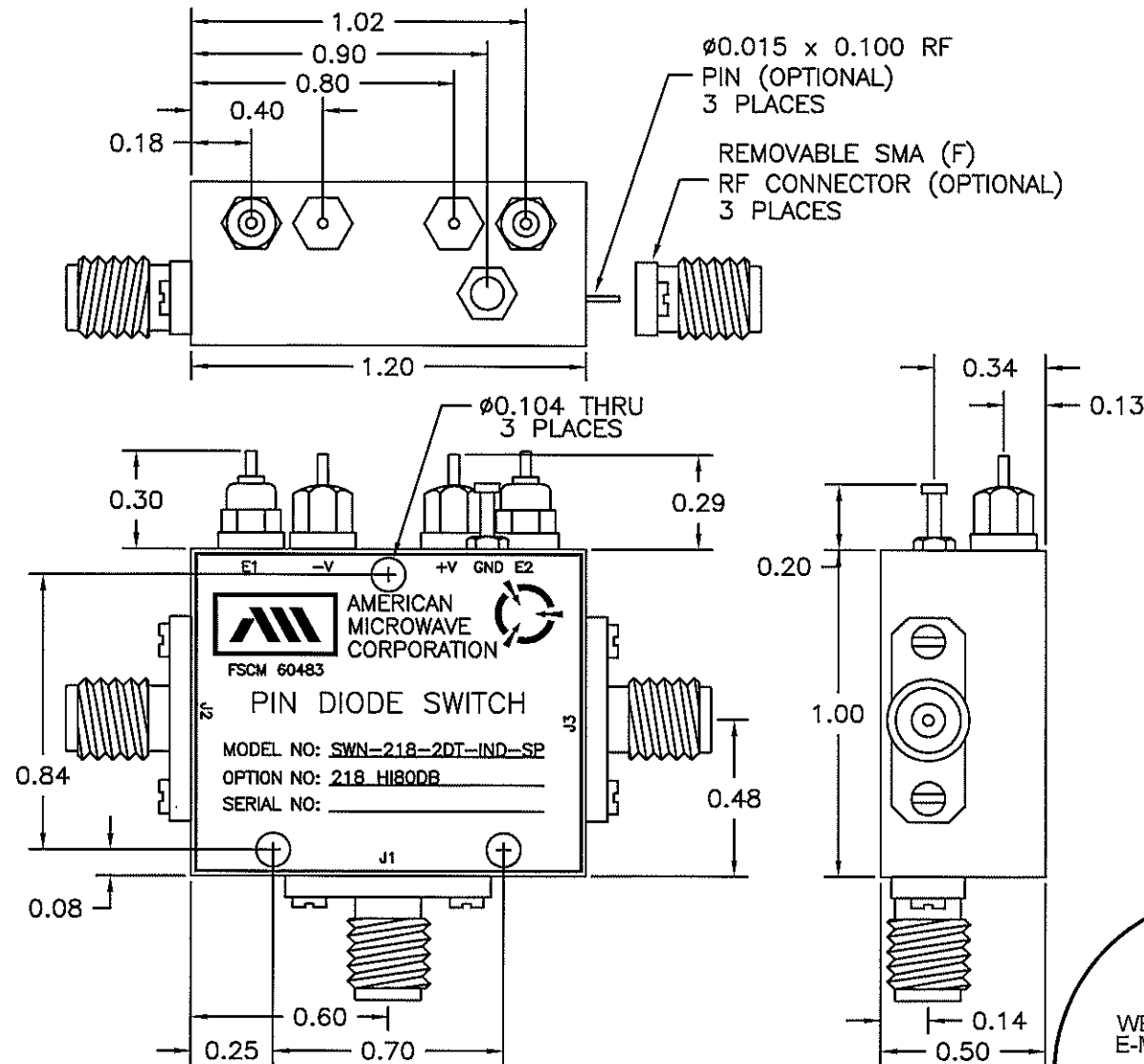


DESCRIPTION

AMC MODEL SWN-218-2DT-IND-SP OPTION: 218, HI80DB, IS A SINGLE POLE TWO THROW ABSORPTIVE/NON-REFLECTIVE SWITCH DESIGNED TO OPERATE BETWEEN THE 2 TO 18 GHz FREQUENCY RANGE WITH HIGH ISOLATION AND LOW INSERTION LOSS.

REVISIONS				
ZONE	REV.	DESCRIPTION	DATE	APPROVED
	-	ORIGINAL RELEASE JOB# 710192-2PE	11/12/07	
	A	SEE ECR# 08-009	1/21/08	



MECHANICAL OUTLINE

ALL DIMENSIONS ARE IN INCHES
TOLERANCES:
X.XX ±0.020
X.XXX ±0.010

AMERICAN MICROWAVE CORPORATION

7311-G GROVE ROAD
FREDERICK, MARYLAND 21704 USA
TEL: 301-662-4700 FAX: 301-662-4938
WEBSITE: www.americanmicrowavecorp.com
E-MAIL: sales@americanmicrowavecorp.com
ISO 9001:2000 CERTIFIED



APPROVALS		DATE	TITLE			
DRAWN <i>PRB</i>		11/13/07	MECHANICAL OUTLINE SWN-218-2DT-IND-SP OPTION: 218, HI80DB 2 - 18 GHz, SINGLE POLE TWO THROW SWITCH			
CHECKED <i>RA HS</i>		<i>1/21/08</i>	SIZE	FSCM NO.	DWG NO.	REV.
ISSUED			A	60483	100-S018-000	A
			SCALE N:S			SHEET 2 OF 4

DESCRIPTION

AMC MODEL SWN-218-2DT-IND-SP OPTION: 218, HI80DB, IS A SINGLE POLE TWO THROW ABSORPTIVE/NON-REFLECTIVE SWITCH DESIGNED TO OPERATE BETWEEN THE 2 TO 18 GHz FREQUENCY RANGE WITH HIGH ISOLATION AND LOW INSERTION LOSS.

SPECIFICATIONS

- FREQUENCY RANGE: 2 TO 18 GHz
- INSERTION LOSS: 3.5 dB MAXIMUM
- ISOLATION: 80 dB MINIMUM
- VSWR (ON/OFF): 2.0:1
- DELAY ON: 1 uSec MAXIMUM
- DELAY OFF: 1 uSec MAXIMUM
- POWER INPUT: +10 dBm
- CONTROL: TTL LOGIC "0" = ON
TTL LOGIC "1" = OFF
- POWER SUPPLY: +5V @ 100 mA MAXIMUM
-5V @ 100 mA MAXIMUM
- CONNECTORS:
RF: SMA FEMALE
CONTROL: SOLDER PIN
- SIZE: 1.20" (L) x 1.00" (W) x 0.50" (H)
- WEIGHT: 1.5 OUNCE TYPICAL

OPTIONS:

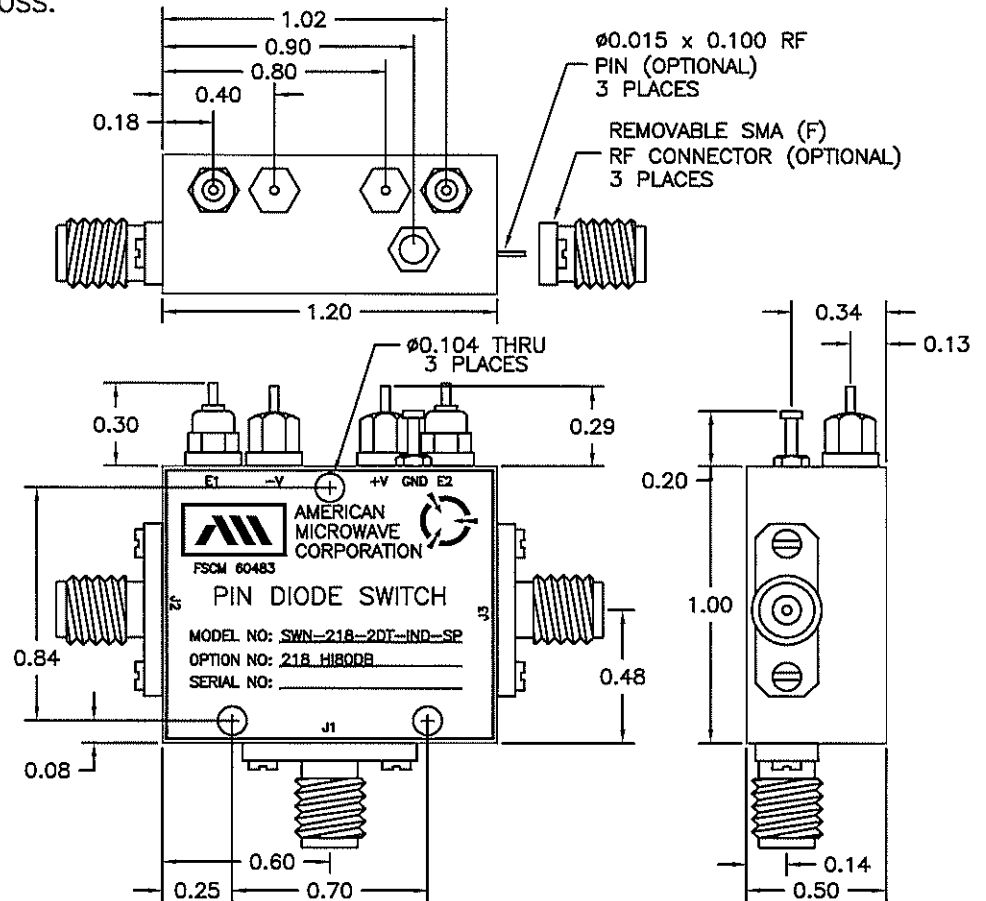
- 218: 2 TO 18 GHz FREQUENCY RANGE
- HI80DB: 80 dB ISOLATION

ENVIRONMENTAL RATINGS:

- TEMPERATURE: -55°C TO +85°C (OPERATING)
-65°C TO +125°C (STORAGE)
- HUMIDITY: MIL-STD-202F, METHOD 103B COND. B
- SHOCK: MIL-STD-202F, METHOD 213B COND. B
- VIBRATION: MIL-STD-202F, METHOD 204D COND. B
- ALTITUDE: MIL-STD-202F, METHOD 105C COND. B
- TEMPERATURE CYCLE: MIL-STD-202F, METHOD 107D COND. A

NOTE: SPECIFICATIONS WILL VARY OVER OPERATING TEMPERATURE
NOTE: THE ABOVE SPECIFICATIONS ARE SUBJECT TO CHANGE OR REVISION

REVISIONS				
ZONE	REV.	DESCRIPTION	DATE	APPROVED
	-	ORIGINAL RELEASE JOB# 710192-2PE	11/18/07	
	A	SEE ECR# 08-009	1/21/08	



AMERICAN MICROWAVE CORPORATION

7311-G GROVE ROAD
FREDERICK, MARYLAND 21704 USA
TEL: 301-662-4700 FAX: 301-662-4938
WEBSITE: www.americanmicrowavecorp.com
E-MAIL: sales@americanmicrowavecorp.com
ISO 9001:2000 CERTIFIED



APPROVALS		DATE	TITLE			
DRAWN <i>PRB</i>		11/19/07	PRODUCT FEATURE SWN-218-2DT-IND-SP OPTION: 218, HI80DB 2 - 18 GHz, SINGLE POLE TWO THROW SWITCH			
CHECKED <i>RA</i>		1/22/08	SIZE	FSCM NO.	DWG NO.	REV.
ISSUED			A	60483	100-S018-000	A
			SCALE N:S	SHEET 1 OF 4		

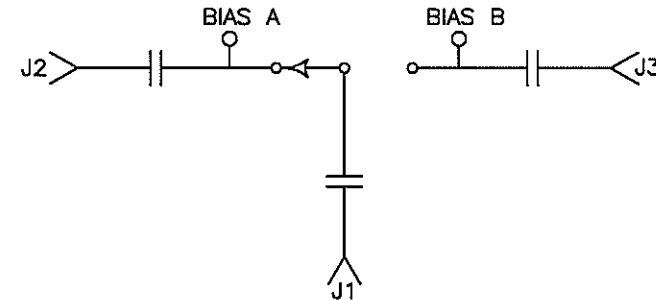
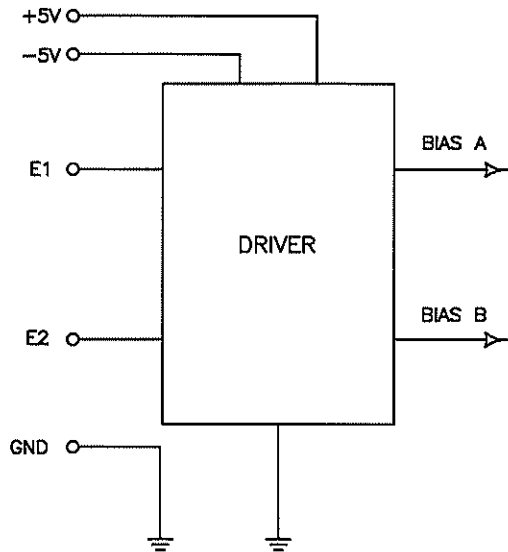
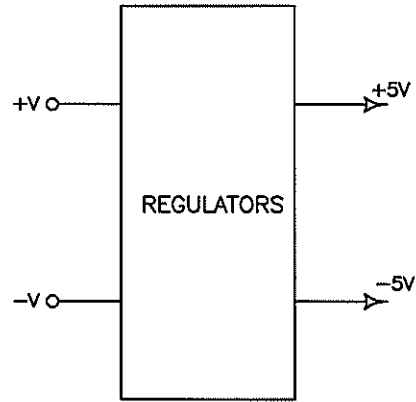
ALL DIMENSIONS ARE IN INCHES
TOLERANCES:
X.XX ±0.020
X.XXX ±0.010

DESCRIPTION

AMC MODEL SWN-218-2DT-IND-SP OPTION: 218, HI80DB, IS A SINGLE POLE TWO THROW ABSORPTIVE/NON-REFLECTIVE SWITCH DESIGNED TO OPERATE BETWEEN THE 2 TO 18 GHz FREQUENCY RANGE WITH HIGH ISOLATION AND LOW INSERTION LOSS.

REVISIONS				
ZONE	REV.	DESCRIPTION	DATE	APPROVED
	-	ORIGINAL RELEASE JOB# 710192-2PE	11/12/07	
	A	SEE ECR# 08-009	1/21/08	

FUNCTIONAL BLOCK DIAGRAM



CONFIDENTIAL AND PROPRIETARY

AMERICAN MICROWAVE CORPORATION

7311-G GROVE ROAD
 FREDERICK, MARYLAND 21704 USA
 TEL: 301-662-4700 FAX: 301-662-4938
 WEBSITE: www.americanmicrowavecorp.com
 E-MAIL: sales@americanmicrowavecorp.com
 ISO 9001:2000 CERTIFIED



APPROVALS		DATE	TITLE		
DRAWN <i>PRB</i>		11/13/07	FUNCTIONAL BLOCK DIAGRAM SWN-218-2DT-IND-SP OPTION: 218, HI80DB 2 - 18 GHz, SINGLE POLE TWO THROW SWITCH		
CHECKED <i>AA HS</i>	<i>12/15/07</i>		SIZE A	FSCM NO. 60483	DWG NO. 100-S018-000
ISSUED			SCALE N:S		SHEET 3 OF 4